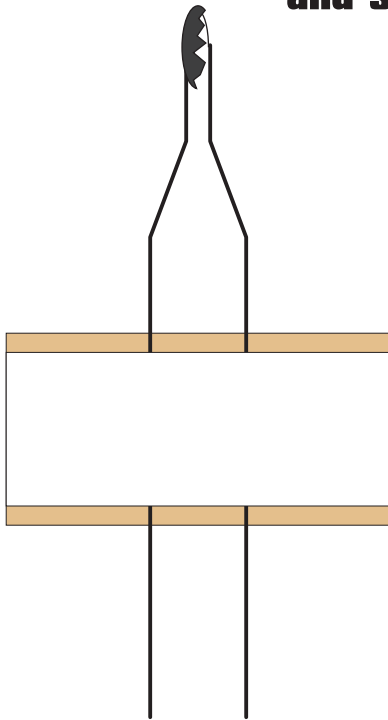
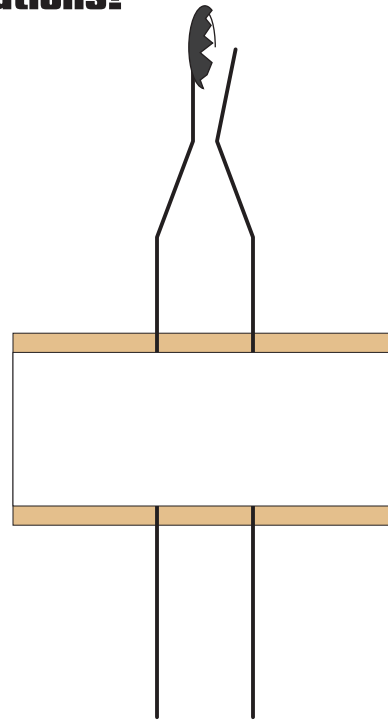


Common igniter problems and suggested solutions!



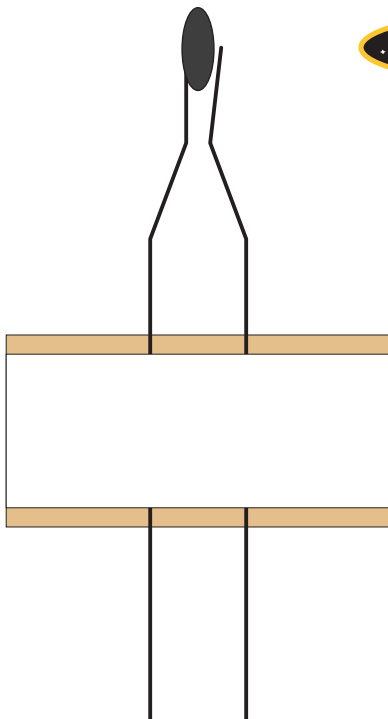
Cracked Tip Wire is intact

Very common and not a problem.
Igniter will work fine, but you may wish to handle it with greater care.



Cracked Tip Wire is broken (detached)

Igniter is broken and can not be used.
Discard and get a new igniter.

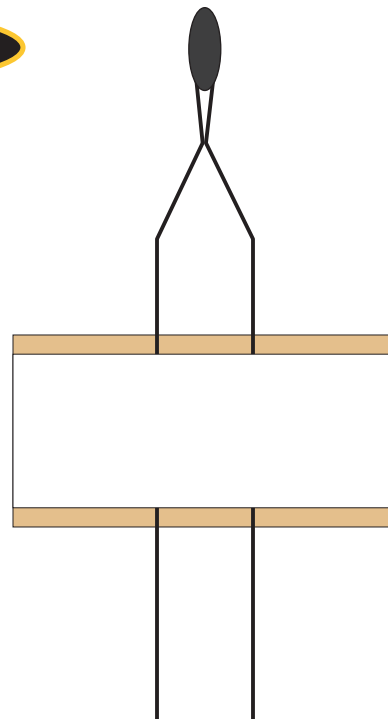


Broken wire Igniter head is intact

Igniter is broken and can not be used.

Discard and get a new igniter.

IMPORTANT: This type of damage may not be noticeable if the break is under the pyrogen. The "Continuity Test" from your launcher will locate such problems.



Shorted leads Wires near tip are touching

Carefully pinch igniter tip between thumb and forefinger. Using other hand, gently spread the leads apart so that they do not touch.
Igniter can now be used.